



**FIBOX**

Enclosing innovations

**NEW**



**ARCA – Upgrade to  
the 21<sup>st</sup> Century**

**FIBOX ARCA®**

## ARCA Enclosures – Upgrade to the 21<sup>st</sup> Century

Fibox's new ARCA non-metallic enclosures provide users of classic electrical junction boxes an easy upgrade path to a high performance enclosure featuring 21<sup>st</sup> century technology. Precision, injection molded, ARCA enclosures feature excellent chemical resistance and the wide temperature utilization range of polycarbonate plastic. Available in classic JIC sizes, these enclosures feature industry standard dimensions and panels.

ARCA enclosures advance beyond tradition to meet and exceed the growing demands of 21<sup>st</sup> century applications. ARCA's rugged construction achieves a unique appearance without sacrificing robustness. The stylized cover features an overlapping design providing superior protection of the formed-in-place PUR gasket.

ARCA enclosures are available as a screw cover enclosure, a hinged screw cover enclosure, or a hinged enclosure with latches. Select from a variety of latch options. Enclosure covers are available as either opaque or transparent clear. Complete ranges of mounting plates, fixed inner panels and hinged inner panels are available, in metal or non-metallic versions.



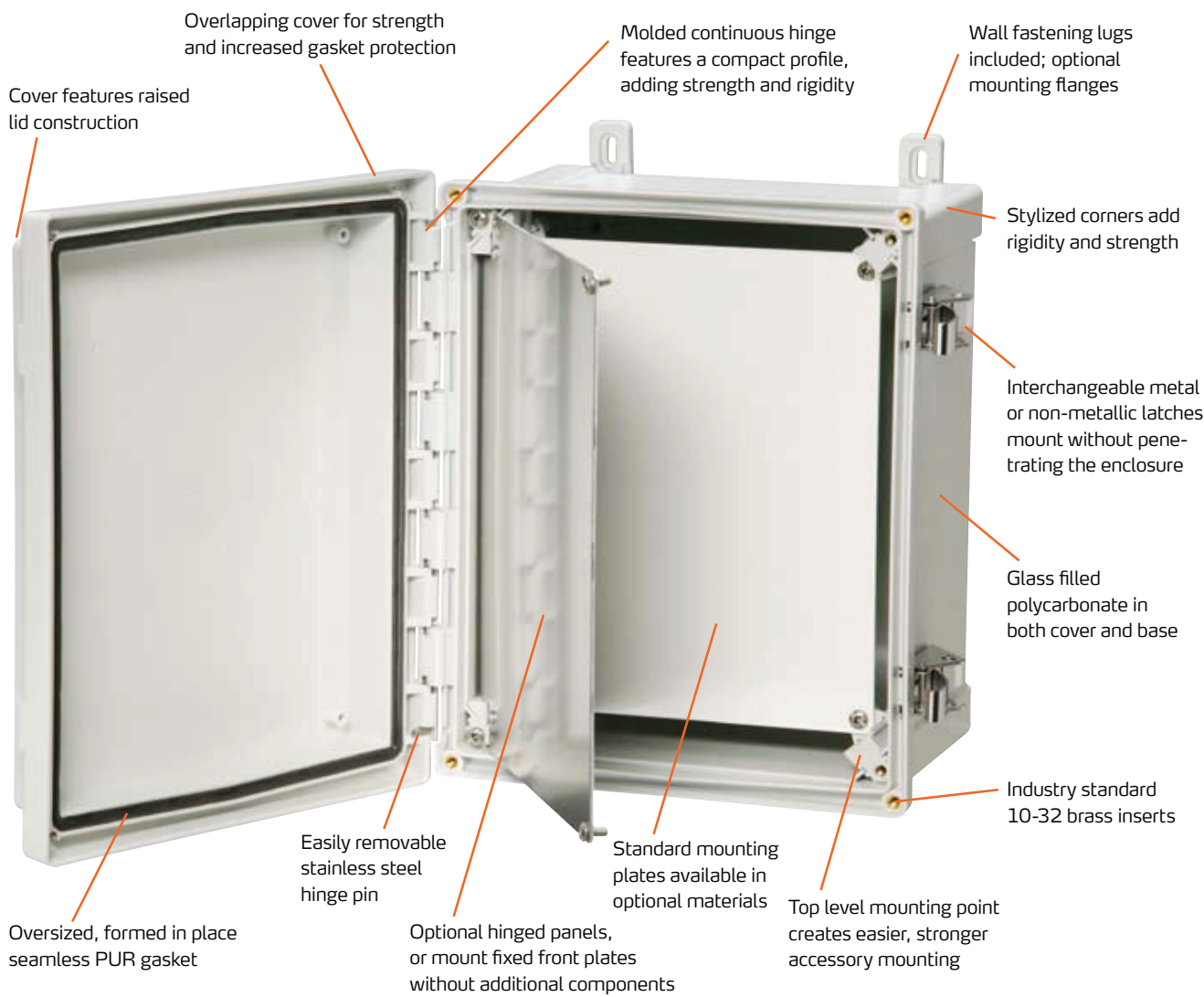
### ENCLOSURES

Screw Cover	Catalog Number		Enclosure Size A x B x C	Panel Catalog Number	Panel Size h x w	Enclosure Mounting F x G	Exterior Overall H x W x D
	Hinged Screw Cover	Hinged with Latch*					
AR664SC	AR664CHSC	AR664CHSSL	6.0 x 6.0 x 4.0	ABP66	4.9 x 4.9	6.7 x 4.0	7.6 x 7.4 x 4.7
AR664SCT	AR664CHSCT	AR664CHSSLT	(152 x 152 x 102)		(124 x 124)	(170 x 102)	(192 x 188 x 120)
AR865SC	AR865CHSC	AR865CHSSL	8.0 x 6.0 x 5.0	ABP86	6.7 x 4.9	8.7 x 4.0	9.5 x 7.4 x 5.7
AR865SCT	AR865CHSCT	AR865CHSSLT	(203 x 152 x 127)		(171 x 124)	(220 x 102)	(242 x 189 x 145)
AR884SC	AR884CHSC	AR884CHSSL	8.0 x 8.0 x 4.3	ABP88	6.9 x 6.9	8.4 x 6.0	9.5 x 9.3 x 4.9
AR884SCT	AR884CHSCT	AR884CHSSLT	(203 x 203 x 108)		(175 x 175)	(213 x 152)	(241 x 236 x 125)
AR1084SC	AR1084CHSC	AR1084CHSSL	10.0 x 8.0 x 4.3	ABP108	8.9 x 6.9	10.4 x 6.0	11.5 x 9.3 x 4.9
AR1084SCT	AR1084CHSCT	AR1084CHSSLT	(254 x 203 x 108)		(225 x 175)	(264 x 152)	(292 x 236 x 125)
AR1086SC	AR1086CHSC	AR1086CHSSL	10.0 x 8.0 x 6.0	ABP108	8.9 x 6.9	10.7 x 6.0	11.5 x 9.3 x 6.7
AR1086SCT	AR1086CHSCT	AR1086CHSSLT	(254 x 203 x 152)		(225 x 175)	(271 x 152)	(291 x 237 x 171)
AR10106SC	AR10106CHSC	AR10106CHSSL	10.0 x 10.0 x 6.3	ABP1010	8.9 x 8.9	10.4 x 8.8	11.4 x 11.4 x 7.0
AR10106SCT	AR10106CHSCT	AR10106CHSSLT	(254 x 254 x 159)		(225 x 225)	(264 x 223)	(290 x 290 x 177)
AR12106SC	AR12106CHSC	AR12106CHSSL	12.0 x 10.0 x 6.0	ABP1210	10.8 x 8.9	12.7 x 8.0	13.5 x 11.4 x 6.7
AR12106SCT	AR12106CHSCT	AR12106CHSSLT	(305 x 254 x 152)		(275 x 225)	(322 x 203)	(342 x 289 x 171)
AR14127SC	AR14127CHSC	AR14127CHSSL	14.0 x 12.0 x 7.0	ABP1412	12.8 x 10.8	14.8 x 10.0	15.5 x 13.3 x 7.7
AR14127SCT	AR14127CHSCT	AR14127CHSSLT	(356 x 305 x 178)		(324 x 275)	(375 x 254)	(393 x 339 x 196)
AR16148SC	AR16148CHSC	AR16148CHSSL	16.0 x 14.0 x 8.0	ABP1614	14.8 x 12.9	16.7 x 12.0	17.8 x 15.5 x 8.7
AR16148SCT	AR16148CHSCT	AR16148CHSSLT	(406 x 356 x 203)		(376 x 328)	(424 x 305)	(452 x 394 x 221)
AR181610SC	AR181610CHSC	AR181610CHSSL	18.0 x 16.0 x 10.0	ABP1816	16.7 x 14.9	18.7 x 14.0	19.8 x 17.5 x 10.7
AR181610SCT	AR181610CHSCT	AR181610CHSSLT	(457 x 406 x 254)		(424 x 378)	(475 x 356)	(503 x 444 x 272)

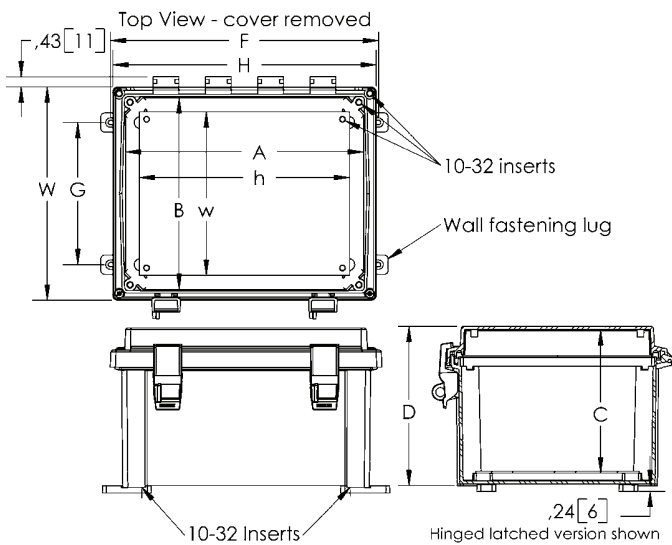
\* Latch options available - metallic latch shown

P/N suffix T denotes transparent cover

ARCA is registered in the U.S. Patent and Trademark Office as a trademark of Fibox, Inc.



**DRAWINGS**



**TECHNICAL INFORMATION**

PROPERTY	
Environmental ingress	UL Type 4, 4X, 6, 6P, 12 and 13 IEC IP 66/67
Impact resistance	Impact rating per UL 508/UL 50
NRTL Listing	Underwriters Laboratories UL, cUL Listed under UL 508 SGS FIMKO CE Conformity
Temperature Range: °Celsius	-40° . . +140°C
Short term °Fahrenheit	-40° . . +284°F
Temperature Range: °Celsius	-40° . . +80°C
Long term °Fahrenheit	-40° . . +175°F
Electrical insulation	Totally insulated
Color	RAL 7035 - Light gray
Cover screws and hardware	10-32, stainless steel
Accessory mounting screws	10-32, stainless steel
Gasket	Polyurethane, formed in place
Flammability rating	Enclosure flammability rating per UL 508
Toxicity	Non-Toxic, halogen free, RoHS compliant

Data subject to change without notice.

## Fibox Enclosures

Fibox, a privately owned Finnish company, is one of the largest enclosure manufacturers in the world, and is the market leader in thermoplastic enclosures used for protecting electrical and electronic components operating in hostile environments. Fibox enclosures are manufactured in modern factories located in Finland, Germany, China and Republic of Korea.

**Fibox Inc.**  
810 Cromwell Park Drive  
Suite R  
Glen Burnie, MD 21061

Tel (+1) 410 760 9696  
Toll-free USA 1 888 342 6987  
Fax (+1) 410 760 8686  
E-mail [sales@fiboxusa.com](mailto:sales@fiboxusa.com)

[www.fiboxusa.com](http://www.fiboxusa.com)

### ABOUT FIBOX

#### 1000 CHOICES TO MEET YOUR DEMANDING ENVIRONMENTS

The Fibox range of standard enclosures provides the designer with over 1000 choices for packaging electrical and electronics equipment operating in hostile environments. Fibox enclosures comply with UL 50/508 and EN 60529. Most of our enclosures have achieved Type ratings of NEMA 4X, 6 and 6P, and Ingress ratings of IP 66/IP 67. Enclosure performance is verified by independent laboratory testing and on-going monitoring of production. Fibox brand accessories make our enclosures more functional and are easy to use. Standard solutions exist for panel management, hinged inner doors, and air ventilation.

#### CUSTOMIZED ENCLOSURES TO EXPAND YOUR OPTIONS

To increase the range and flexibility of our packaging solutions, Fibox has developed a comprehensive range of services, permitting cost effective customization for specific applications. The two most important of these are machining services and customized tooling. Our advanced CNC machinery can supply enclosures with holes, cutouts and openings to your specification. For large OEM volumes, our sophisticated, multiple slide tooling permits cost effective modification of any side of the enclosure. CAD drawings of standard enclosures are available at [www.fiboxusa.com](http://www.fiboxusa.com) to aid the engineer in creating the most cost effective customization.